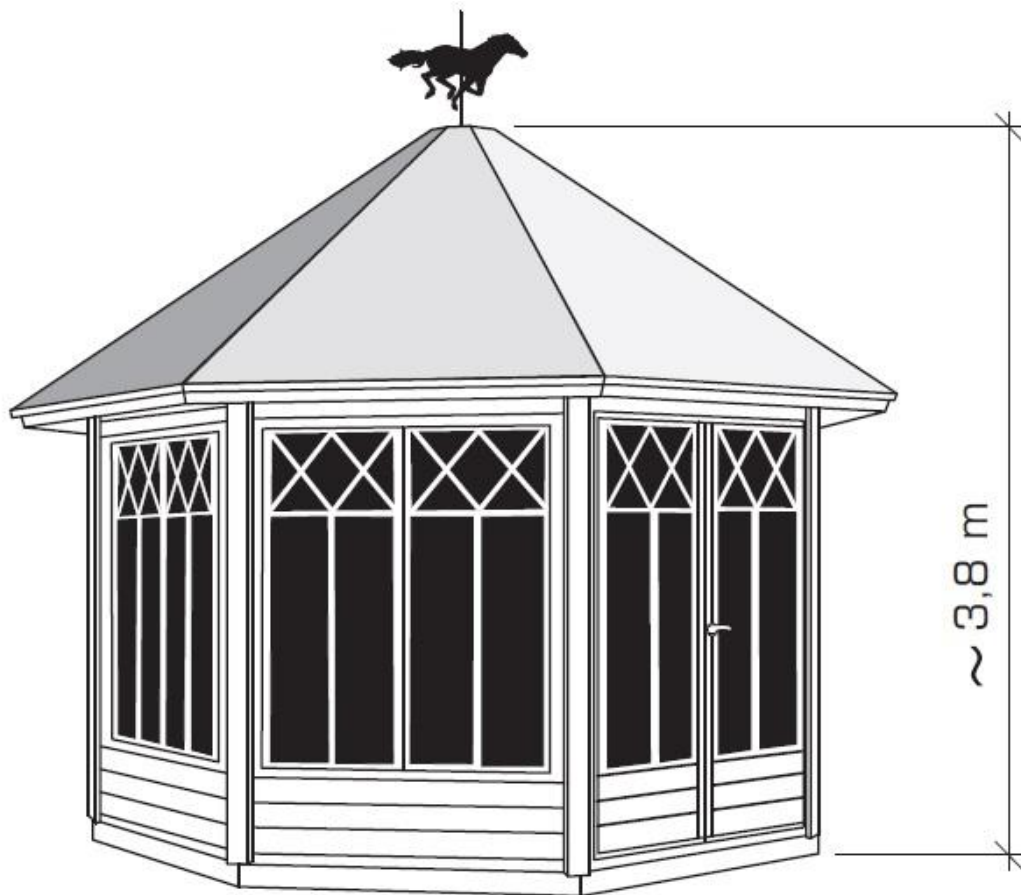


Assembly instructions

for Katrin (8K) summer house



Tools necessary for instalment: Spirit level, hammer, knife, tape measure, screwdriver (e.g. power drill), crosshead drills No. 1, 2 and 3, 4 mm drill and 3 roof instalment beams (e.g. 50 x 50, length 310 cm), pillar anchors or concrete slates. These tools are not included in the set.

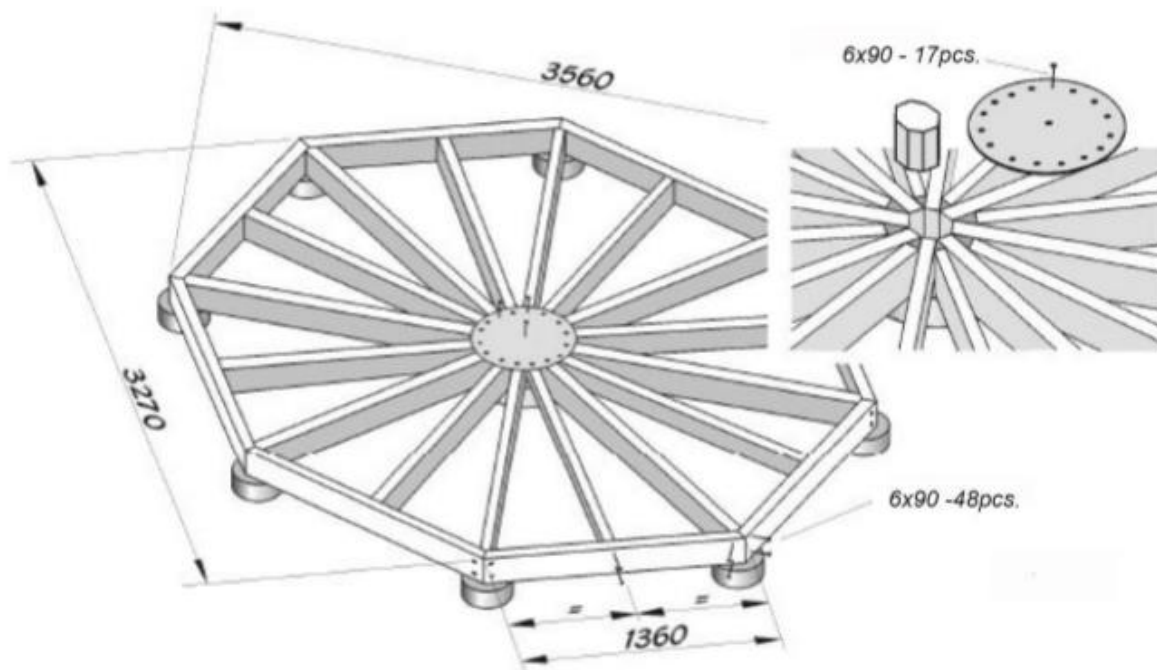
Attention! Wooden structures have not been treated, therefore they need to be impregnated with a wood protection product both from the inside and the outside.

Preparing the base

According to the picture, place 12 pillar anchors or concrete slates, 4 pcs. to the centre (Picture 1). The top surface of all foundation plates has to be on the same level. NB! When measuring, consider the external measurements of the pillars so that these would be completely under the house. Leave a ventilation gap between the base structure and the ground.

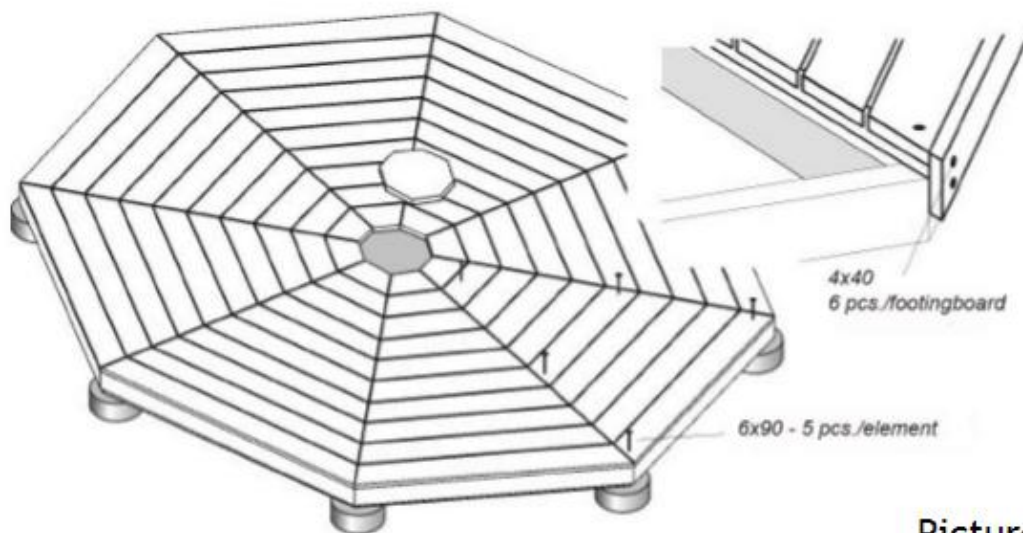
If the ground is soft, it is necessary to dig holes under the foundation plates and fill these with sand, which is reinforced with water, for example, and pressed so tight that the pillars do not sink. The garden house may also be installed on a single base, e.g. a concrete slate, in such a case it is necessary to pay attention also to ventilation.

Place the parts of the base structure on of the foundation (50 x 100 impregnated) and fasten them to each other according to the Picture 1. Before and after installation, check that the measurements on the figure match the instalment measurements.



Floor

Place the floor elements on the base structure (Picture 2) in accordance with the shape of the base structure. Fasten the elements to the base structure with screws according to the Picture. Before fastening the screws, it is advisable to drill holes for the screws into the elements. Fasten the footing boards. Finally, place the centre between the elements.



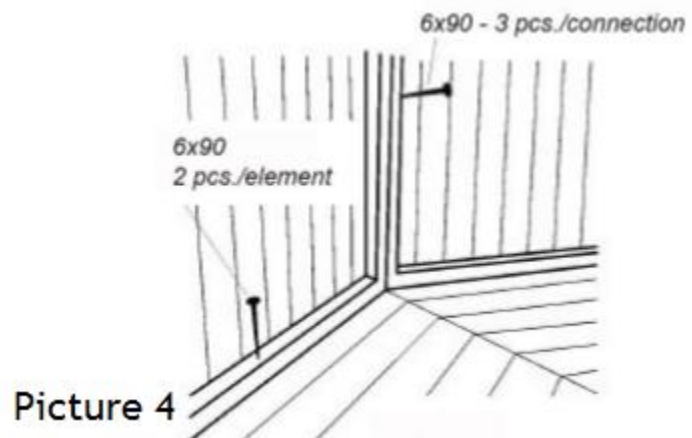
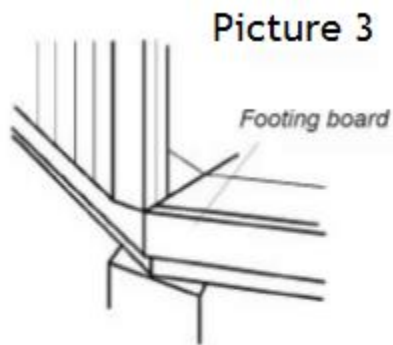
Picture 2

Elements

The garden house consists of floor, wall and roof elements. Doors and windows have been installed to the wall elements in the factory.

Putting together the house structure

Begin installing the wall elements with the wall of your preference – keep in mind that now you also have to choose the wall for the door. Lift the first wall element onto of the base structure in a way that the wall panel remains outside of the footing board and the corners of the elements are in line with the connection of the floor (Picture 3). Support the first wall and place the next element next to the previous one. Check that the walls align well and fasten the walls to each other with screws (Picture 4) – do not fasten the walls to the floor just yet. When all eight walls have been put up and fastened to each other, check once more that the walls fit well both with the floor and each other, then fasten the walls to the floor with screws (Picture 4).



Roof

When installing roof elements, you need 310 cm beams - these beams are used to support the top of the roof elements from the inside while they are being lifted onto the walls (Picture 5).

Lift the first roof element onto the wall, support the top. Place the element in such a way that when being viewed from the inside, the corners of the roof element intersect with the corners of the wall elements (Pictures 6 and 7).

Make sure that the roof element is straight with regard to the wall element, e.g. check the edge of the panel.

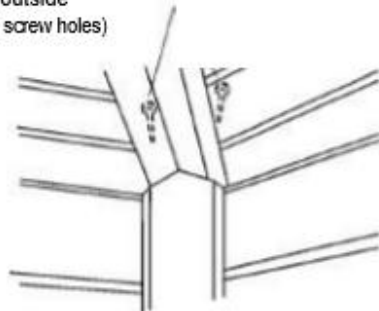
Lift the next roof element next to the previous one and support the top. Make sure that the bottom ends of the roof elements are on the same level from the outside and fasten the element to the previous element using 6 x 90 mm screws (Picture 8).

Make sure that the first support beam remains still throughout the whole installation process and use the second beam to support the roof element that is being installed. You can leave the second support beam to support the fourth element and continue the installation process with a third support beam – this way the roof will be more secure throughout the instalment.

When all elements have been fastened to each other, the position of the roof with regard to the walls can still be adjusted. Fasten the roof elements to the corner post as shown on Picture 8 – from the outside, onto the roof element.

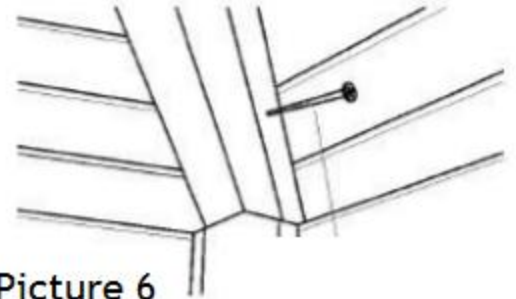
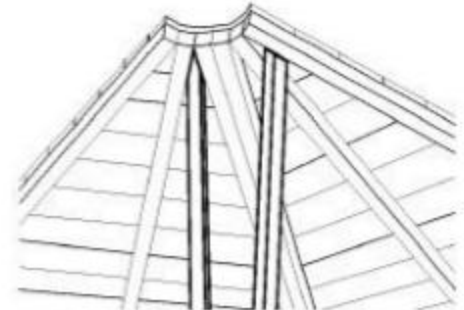
The end boards of the roof are fastened with screws to the ends of the roof elements (Picture 9).

6x90 – 2 pcs. /post
From the outside
(NB! Drill, screw holes)



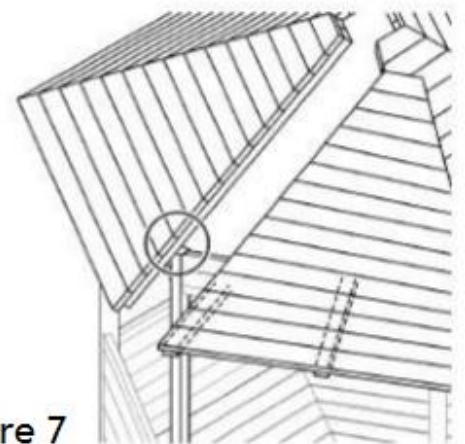
Picture 8

Picture 5

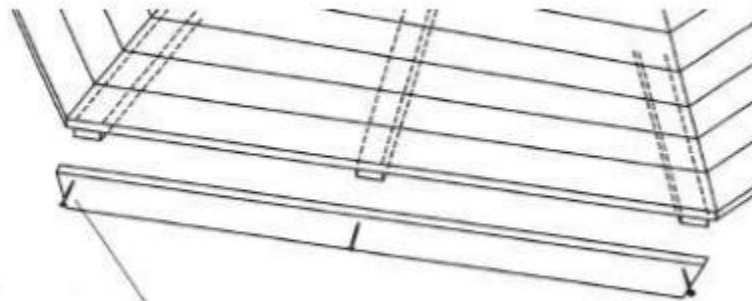


Picture 6

6x903 pcs. / connection
(holes have been drilled)



Picture 7



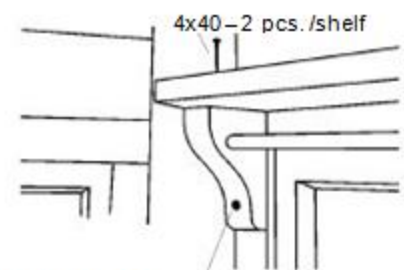
Picture 9 4x4 – 3 pcs. /end board

Shelves and cover boards

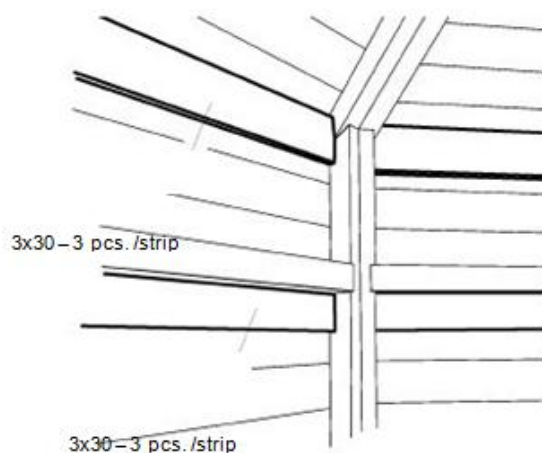
Install the 4 shelves on the interior walls of the garden house according to Picture 10.

Installing accessories

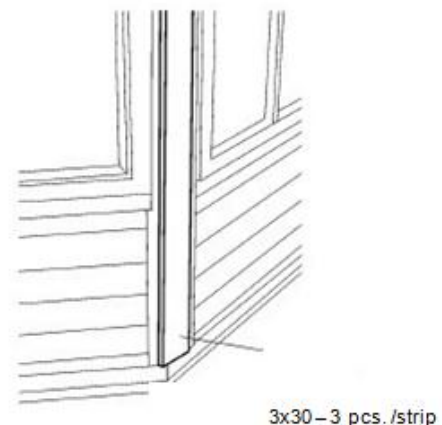
Fasten the covering strips and boards included in the set to the top beam according to Figure 11. Install the covering strips also on the exterior corners according to Figure 11a. The strip will hide the crack caused by the wood swelling and shrinking. Install bolts to openable windows, handles and locks to the doors and adjust the openable doors and windows, if necessary.



Picture 10 4x4 – 2 pcs. /shelf
4x4 – 2 pcs. /support



Picture 11



Picture 11a

Congratulations! Your summer house has been installed! Please follow the respective instructions when installing roof shingles or treating your cabin with wood preservative.