

Assembly instructions

for Hexagonal (6K) and Octagonal (8K) Gazebos and BBQ Gazebos

This installation guide can partly be used also as the installation guide for 6K and 8K.



Tools necessary for instalment: Spirit level, hammer, knife, tape measure, screwdriver (e.g. power drill), crosshead drills No. 1, 2 and 3, 4 mm drill and 3 roof support beams (e.g. 50 x 50, length 260 cm). These tools are not included in the set.

Attention! The wooden structures have not been treated; therefore they need to be impregnated with a wood protection product both from the inside and the outside before bring installed.

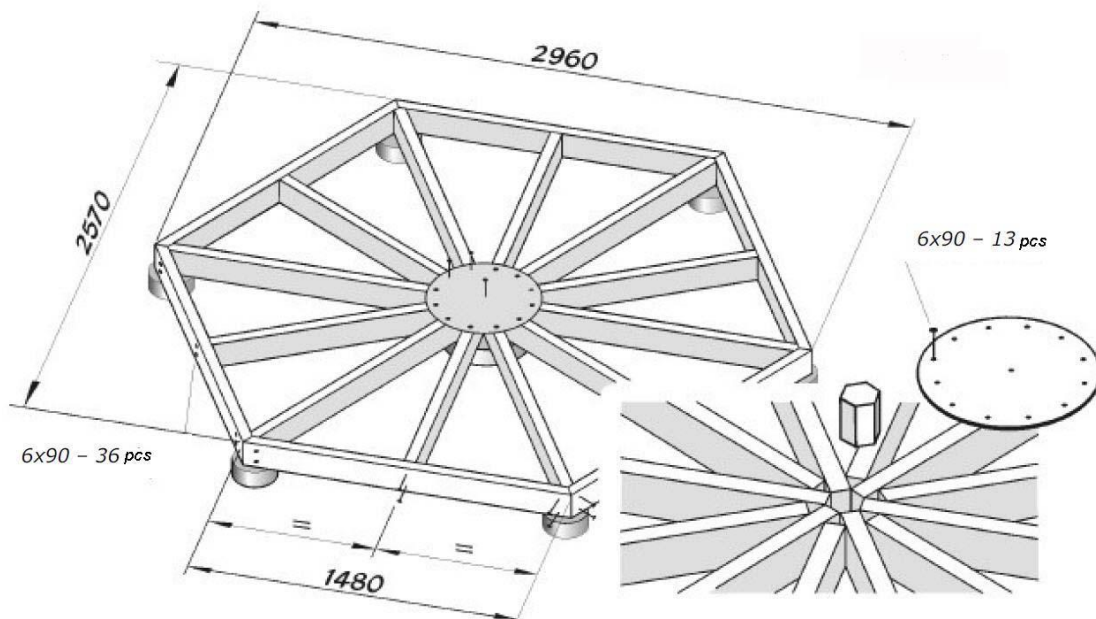
Preparing the base

Install 7 (6K) or 9 (8K) pillar anchors or concrete slates according to the pictures 1 and 2. Install the pillar anchors into the corners and the centre. To the centre of 8K, install 4 pillar anchors. The top surface of all base plates has to be at the same height.

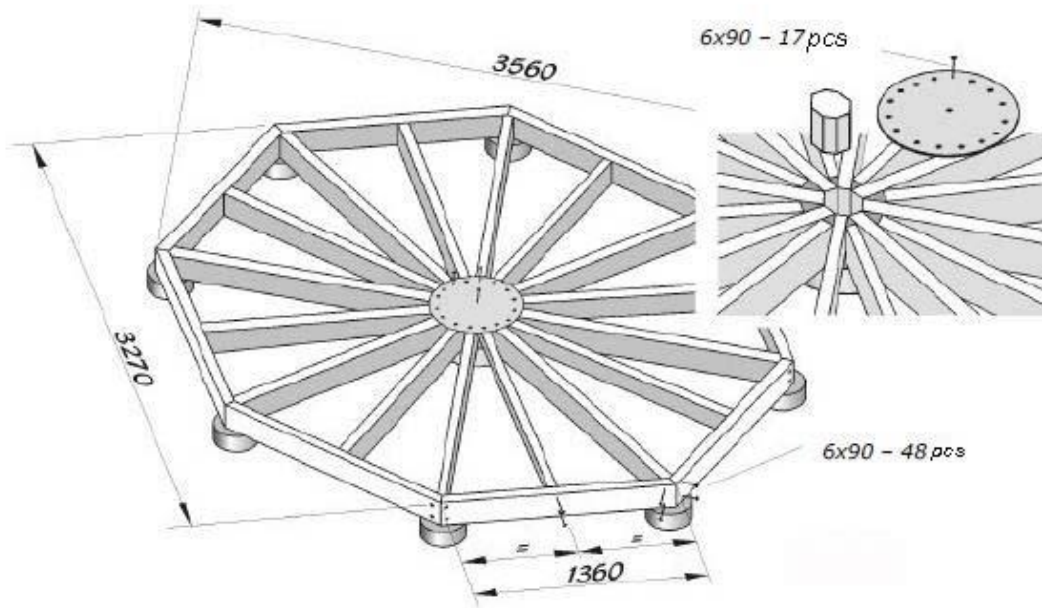
NB! When measuring, consider the external measurements of the pillars so that these would be completely under the house. Leave a ventilation gap between the base structure and the ground.

If the ground is soft, it is necessary to dig holes under the foundation slates and fill these with sand, which is reinforced with water, for example, and pressed so tight that the pillars do not sink. The garden house may also be installed on a single base, e.g. a concrete slate, in such a case it is necessary to pay attention also to ventilation.

Picture 1



Picture 2



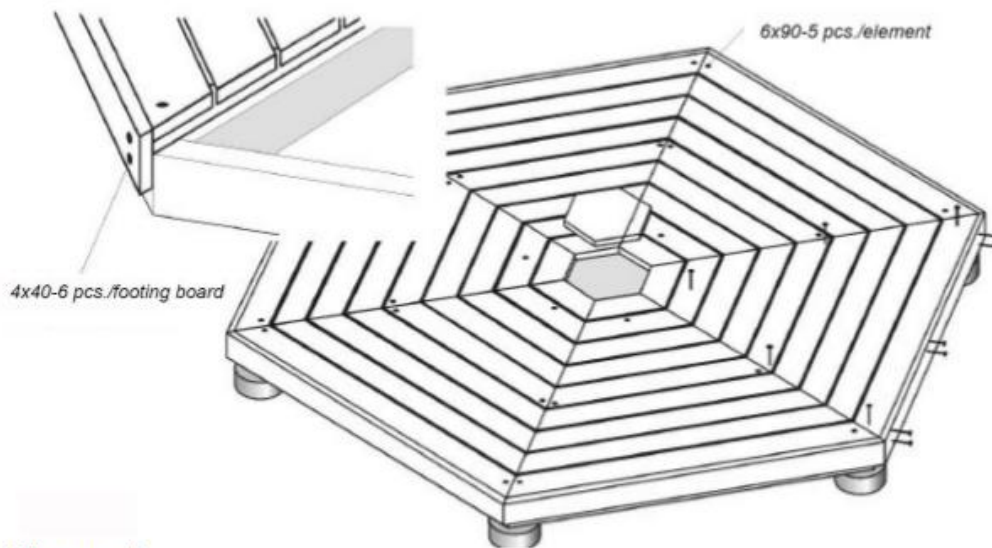
Base structure

Place the parts of the base structure (50 x 100 impregnated) on the base structure (figure 1 is 6K and figure 2 is 8K) and fasten these to each other according to the figure.

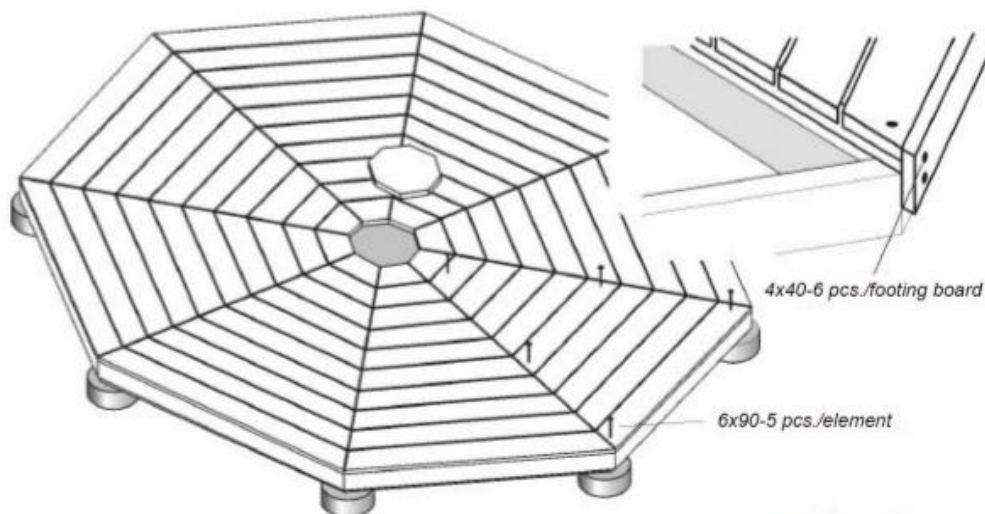
Before and after installation, make sure that the measurements on the figure comply with actual measurements.

Floor

Place the floor elements on the base structure (Picture 2 (6k) and 2a (8k)) in accordance with the shape of the base structure. Fasten the elements to the base structure with screws according to the figure. Before fastening the screws, it is advisable to drill holes for the screws into the elements. Fasten the footing boards. Finally, place the centre between the elements.



Picture 2

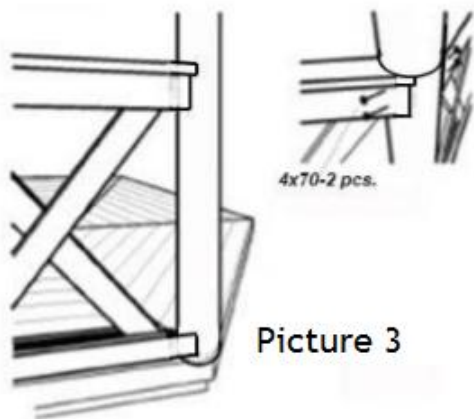


Picture 2a

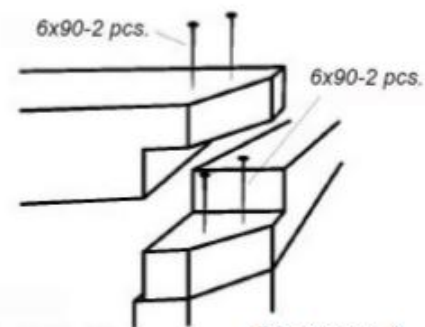
Structure

Begin installing the posts of the structure next to the entryway. Lift the first post into an upright position and fix the handlebar element to the post (Picture 3). Fasten the handlebar with screws to the upright post, fit the next post and fasten it to the handlebar, fix the connection with a screw. Continue until all 6/8 posts are in place. **Skip this part for gazebos without balustrades.**

Then fasten the top detail to the posts according to Picture 4.



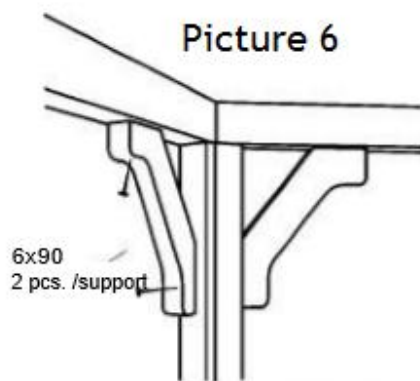
Picture 3



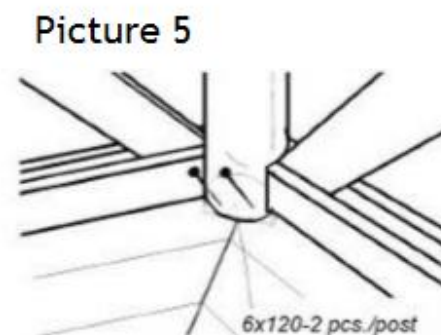
Picture 4

Move the top detail to its place in relation to the floor and fix the frame to the floor according to Figure 5.

Fasten the corner supports of the posts into place with screws (Figure 6).



Picture 6



Picture 5

Roof

When installing roof elements, the top of the roof element has to be supported while the elements are lifted onto the wall (Picture 7). Lift the first element on the wall, support the top and fasten the element so that the edges of the roof element would intersect with the corners of the wall elements when viewed from the inside (Picture 8). Check that the roof element is straight in relation to the top frame. Lift the next roof element next to the previous one and support the top.

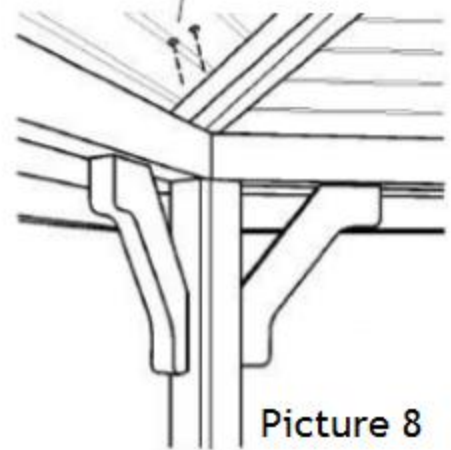
Make sure that the bottom parts at the alignment of the roof elements are level from the outside and fasten the element to the previous one with 6 x 90 screws according to Picture 9. Make sure that the first support beam remains still throughout the whole installation process and use the second beam to support the roof element that is being installed.

You can leave the second support beam to support the fourth element and continue instalment with a third support beam – this way the roof will be more secure throughout the installation process.

Picture 7

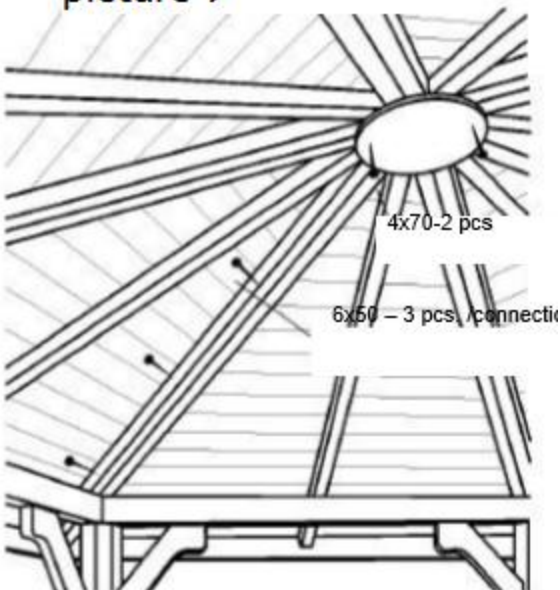


6x90-2 pcs./post (from the outside)



Picture 8

picture 9

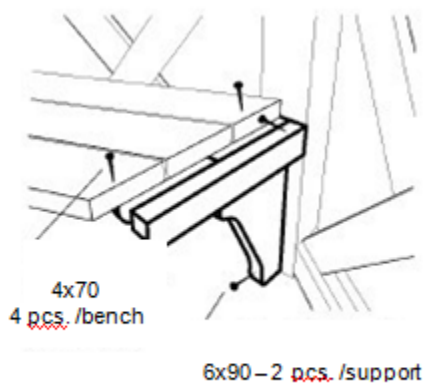


When all elements have been fastened to each other, the position of the roof in relation to the walls can still be adjusted. Fasten the roof elements to the corner post from the outside, on top of the roof element.

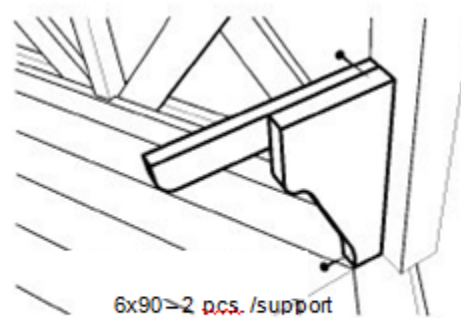
Fasten the cover of the opening according to Picture 9. (gazebos without the BBQ)

Benches and bench supports (for BBQ huts only)

Install the bench supports against the floor to the centre of the corner post with 6 x 90 mm screws (Figure 10). The side supports of the door are also fastened to the corner posts (Figure 11). Find a correct position for the support with regard to the bench. Fasten the benches to the supports.



Picture 10



Picture 11

Congratulations! Your summer house has been installed! Please use the separate grill installation manual for BBQ huts and follow the respective instructions when installing roof shingles or treating your cabin with wood preservative.