

Albatros large /

small

Tools necessary for the installation.

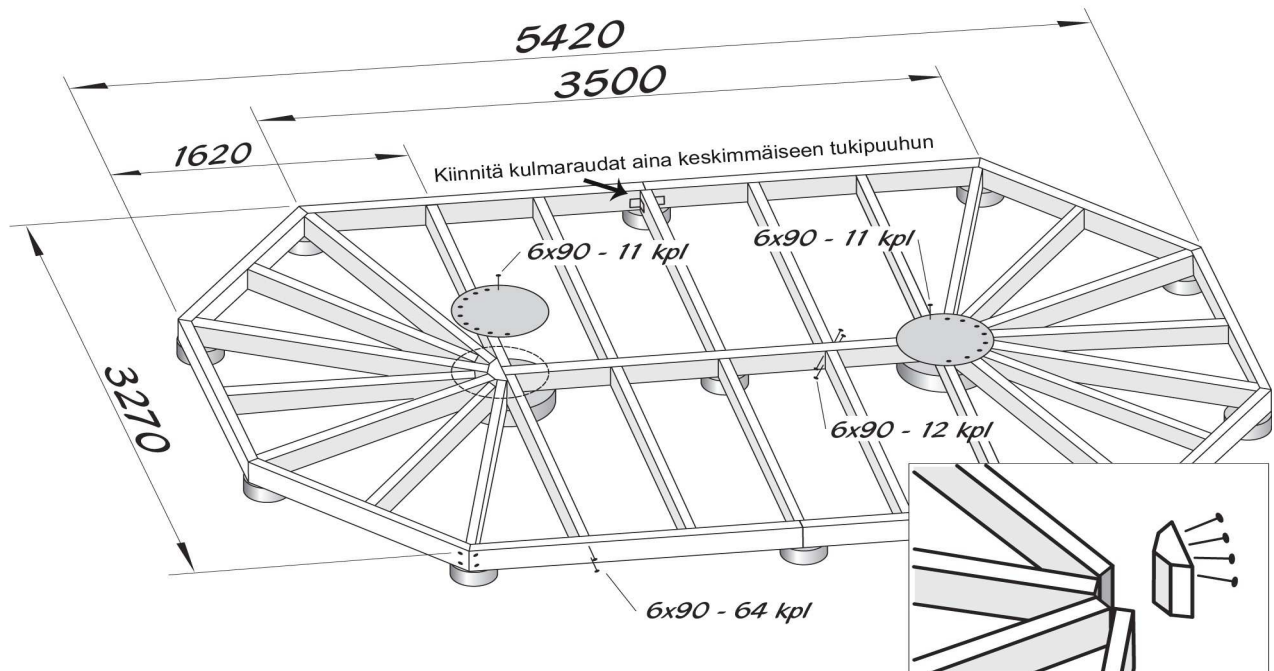
Spirit level, hammer, Stanley knife, tape measure, driver, (e.g.. cordless drill), TORX-screw range, drill bit 4 mm and 3 pcs roof mounting props (e.g. 50x50, length for 6K 255 and for 8K 265 cm). These items are not included in the delivery.

Please note! All timber parts are untreated, and thus need timber preservative treatment from the outside and the inside, before installation.

Foundation

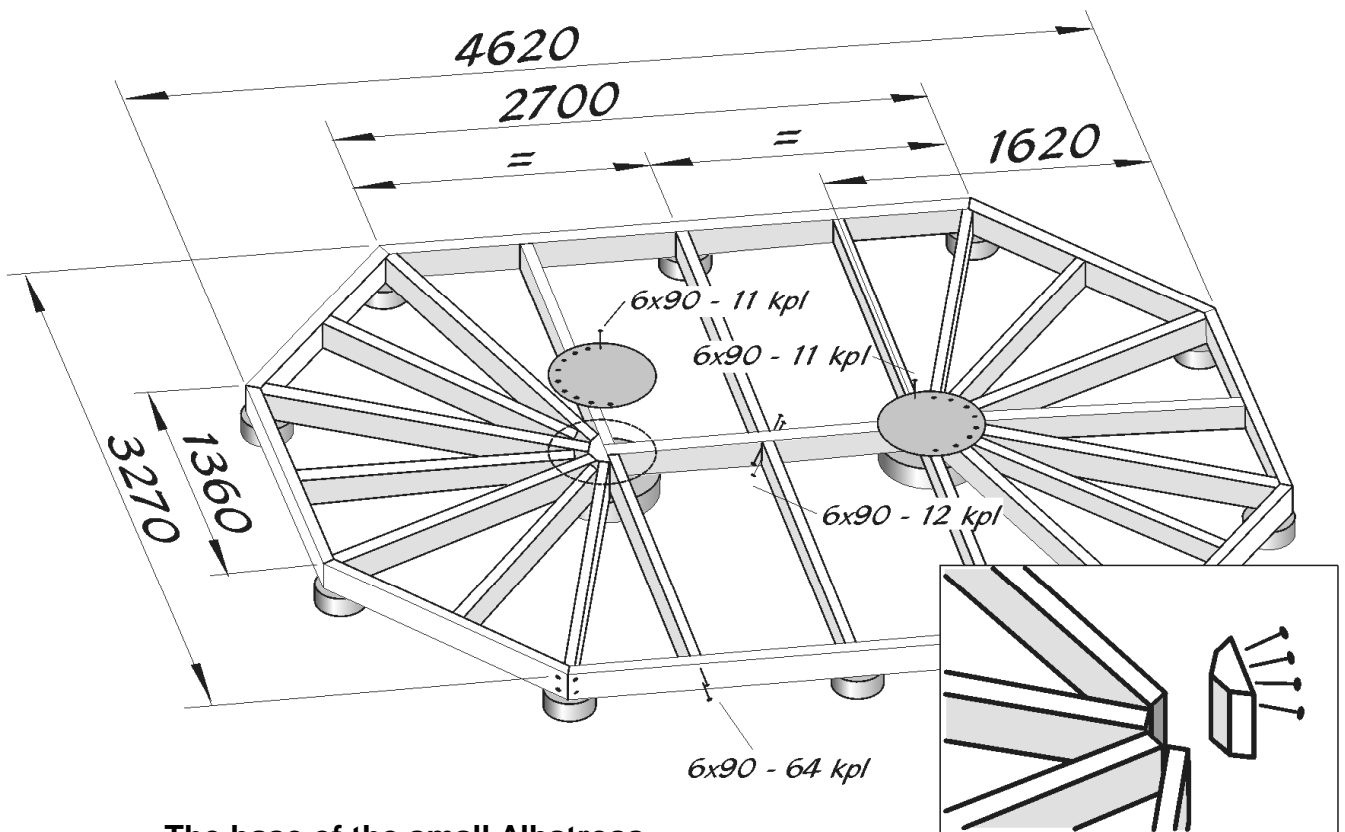
Install 12 / 13 pcs pillars or concrete slabs according to the base pattern (image 1) (not included in the delivery). All foundation slabs must have their upper surface at an even height. **Please note! Use the measurements as the external measurements of the pillar, this will enable the pillar to remain under the house in its entirety.** A ventilation gap must be left between the base frame and the ground surface. Loose earth must be dug out from around the foundation slabs, and refilled with sand, which is packed with e.g. water, and tamped down so that the pillar would not sink. The installation can also be done on a single platform, e.g. a concrete slab, in which case the ventilation of the base must also be taken into consideration.

Kiinnitä kulmaraudat aina keskimmäiseen tukipuuhun - Always attach the angle irons to the middle batten
Kpl – Pcs



The base of the large Albatros

Kuva 1.



The base of the small Albatross

Base

Assemble the base parts (50x100 vacuum pressure impregnated) on top of the foundation (image 1) and attach to each other as shown on the image.

Before and after the mounting, make sure that the measurements on the drawings match the mounting measurements.

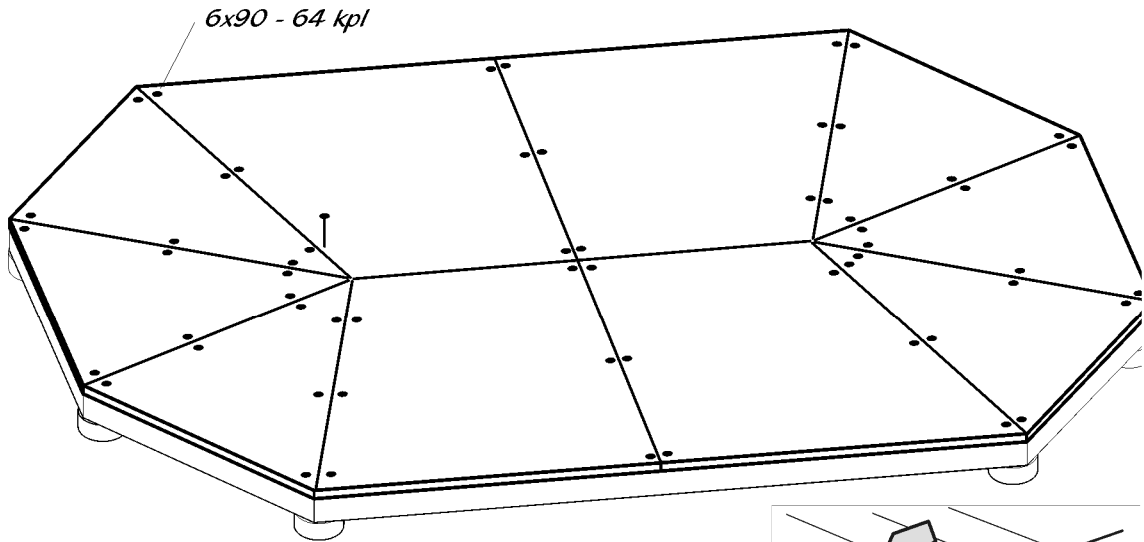
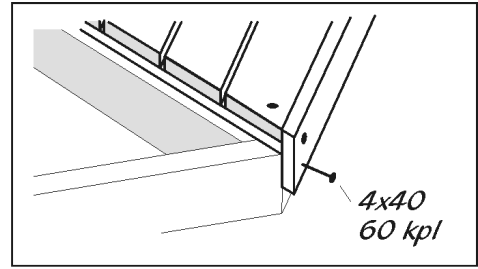
Elements

This summerhouse consists of floor, wall and roof elements. The wall elements have built-in doors and windows.

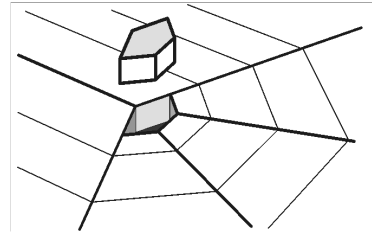
Floor

Lift the floor elements on top of the base frame (image 2) and centre the elements into the same shape as the base frame.

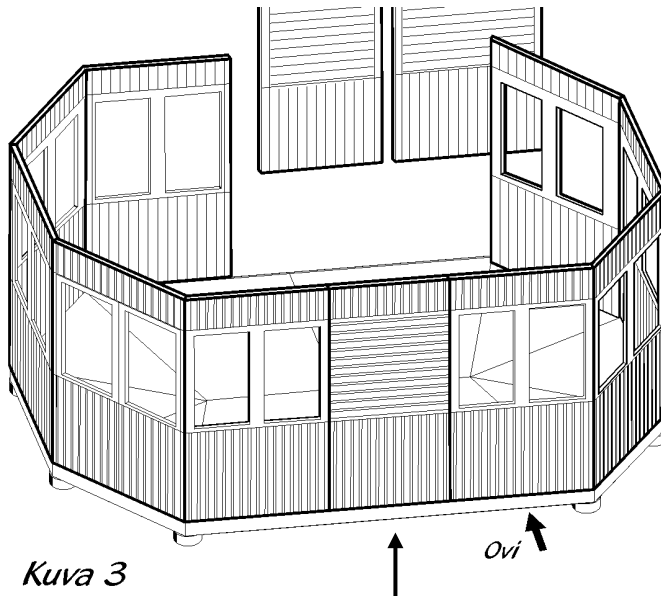
Screw the elements on the base frame as shown on the image below. It is recommended to drill holes for the screws beforehand. Attach the base boards. As the last thing, attach the "liquorice" in the middle of the elements.



Kuva 2.



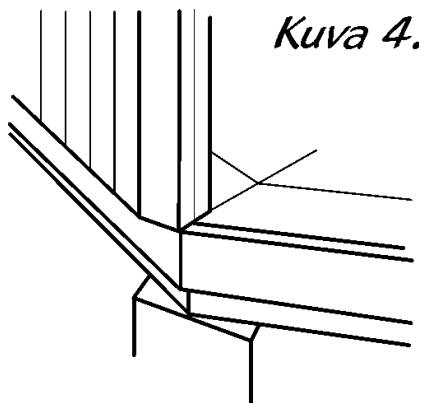
Assembling the frame



Start erecting the wall elements in the order specified in image 3.

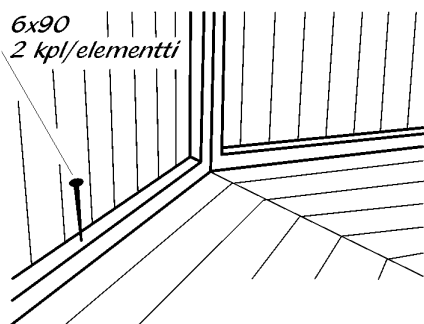
Ovi - Door

This element is not included in the small Albatros

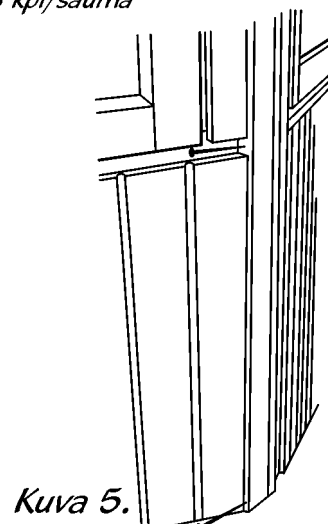
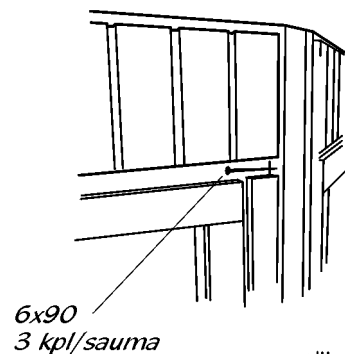


Kuva 4.

Lift the first wall on top of the base in such a way that the wall panels are outside the base board (image 4) and that the corners of the elements are aligned with the floor joints. Support it and erect the following wall panel next to it, and check that it "fits" and screw to the previous element from the outside (image 4a) - not to the floor yet.



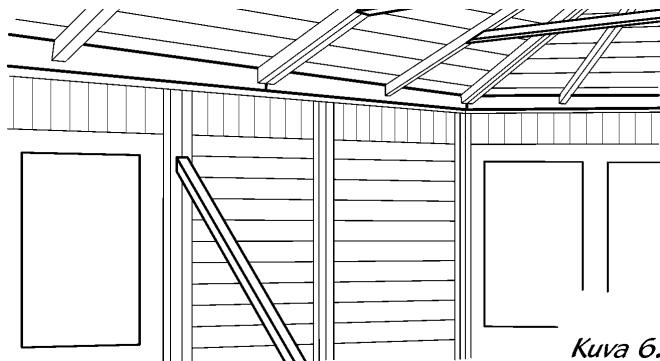
Kuva 4a.



Kuva 5.

Elementti – element
Sauma – joint

Once all the wall elements have been erected and fastened to each other, check the "fit" of the wall once more, and then screw the wall to the floor (image 5). Before starting to mount the roof elements –secure the wall elements vertically (temporarily) for the duration of the roof mounting, in accordance with image 6.

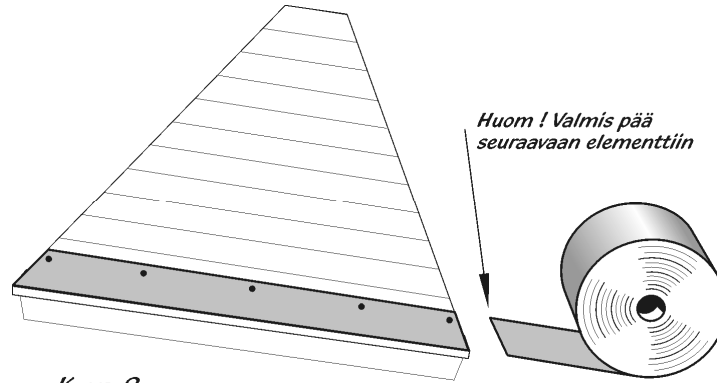


Kuva 6.

Felting the roof

Start felting the roof elements. This job is easiest to do when the elements are loosely on the ground, instead of having been mounted on the roof.

Install the eaves tape as shown on image 8. The protective plastic must be removed longitudinally, only halfway. The protective plastic is left on the eaves side to help with the mounting of the eave edging later (3 nails/edging, 2.5 x 20 felt nails). Cut the tape at its ends according to the element.



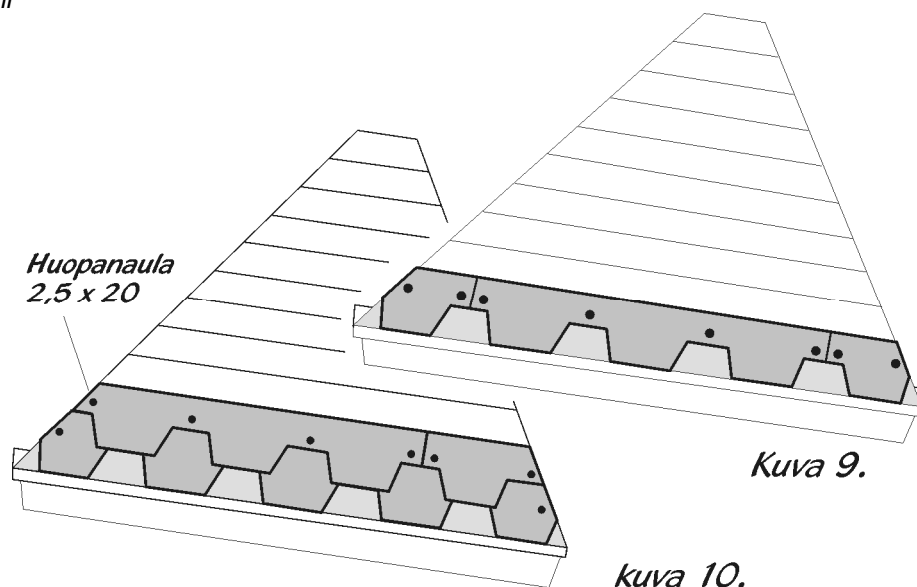
Kuva 8.

Huom! Valmis pää seuraavaan elementtiin – Please note! This end ready for the next element

Put the first piece of felt on the eaves tape – in the middle of the element (image 9). On either side of the first piece of felt, place additional pieces, and, in the direction of the element, cut off any superfluous sections that you will need as the mounting progresses.

Nail the felt pieces according to the manner shown in image 10. Felting progresses from left to right and from the bottom up, the upper felt piece will always cover the nails in the previous piece of felt.

Huopanaula – felt nail



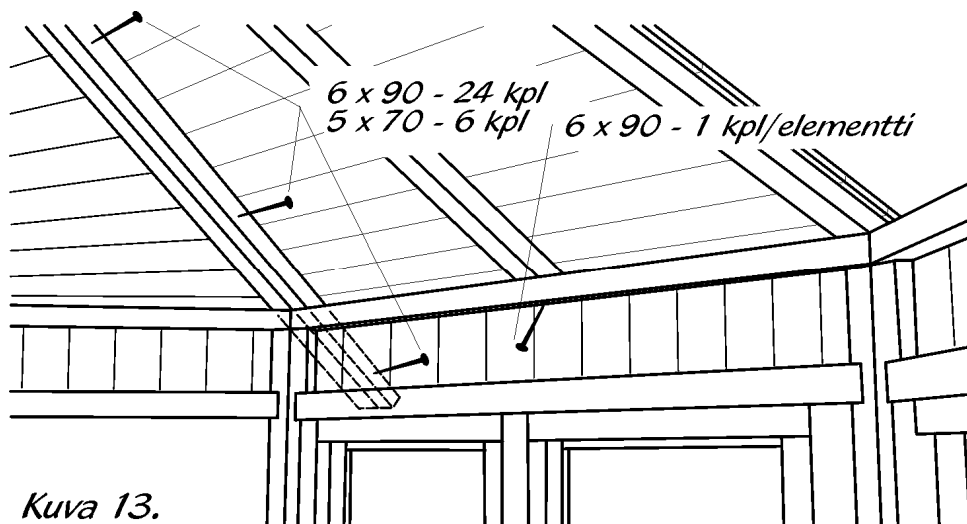
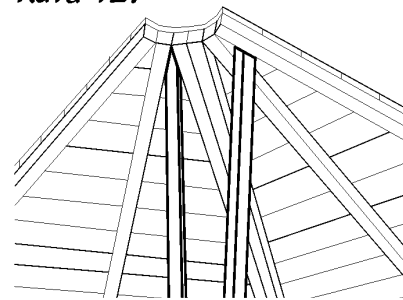
Kuva 9.

kuva 10.

Mounting the roof

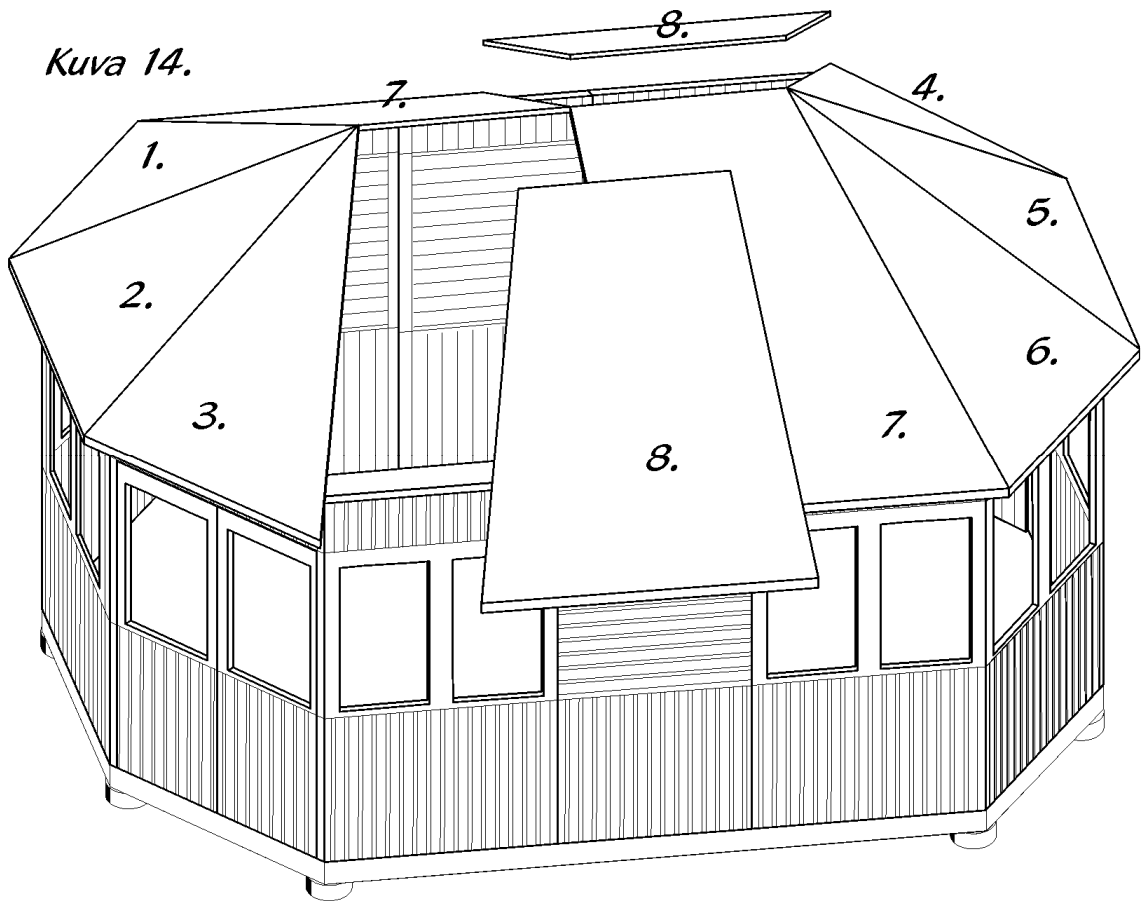
During the mounting of the roof, you need prop to support the tip of the roof element when the elements are lifted on the wall (image 12). Lift the first element onto the wall, support the tip of the element with a prop, and mount the element in such a way that the edges of the roof element would cut the corners of the wall elements, and that they are aligned straight with the wall element. Lift the next roof element into its position next to the previous one, and support its tip with a second prop. Check that the tips of the roof frame boards are even from the outside, and screw the element to the previous one, in accordance with image 13.

Kuva 12.



Kuva 13.

Kuva 14.

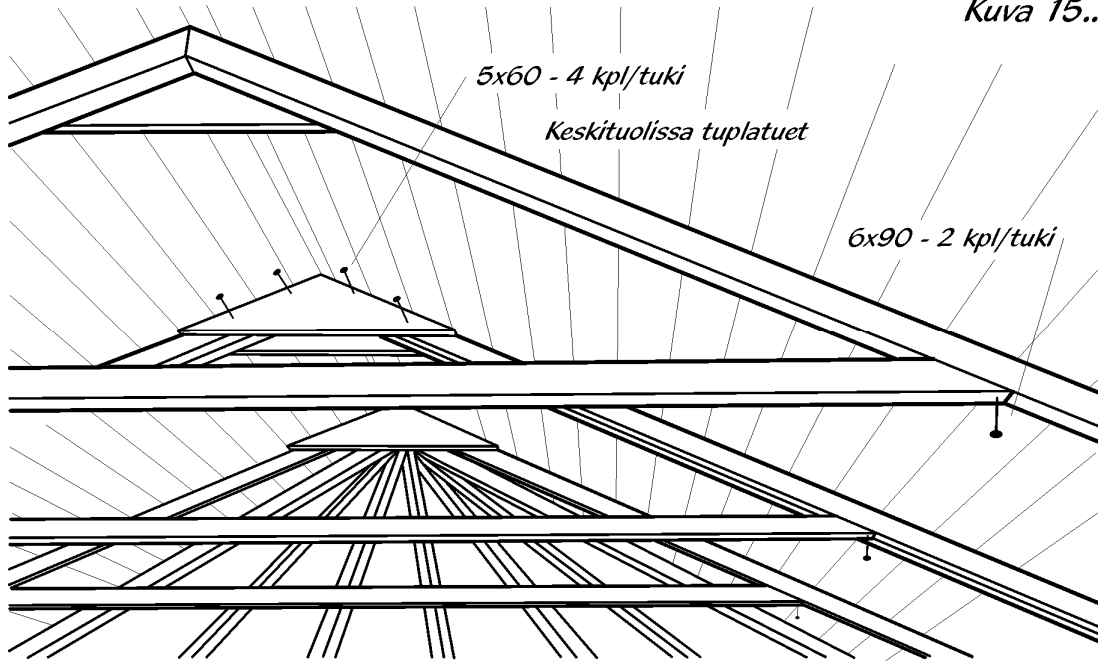


Keep the first prop in its place throughout the entire mounting process, and always use the second prop to secure the next roof element. Leave the props of the other end in their places when mounting the roof elements of the other end, lastly the straight elements between the gables (image 14). After the roof elements, attach the three interior battens and ridge support as shown on image 15.

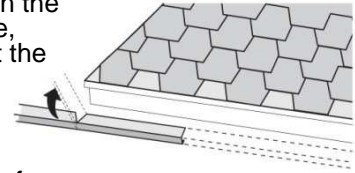
Tuki – brace

Keskituolissa tuplatuet – double support in the middle

Kuva 15..

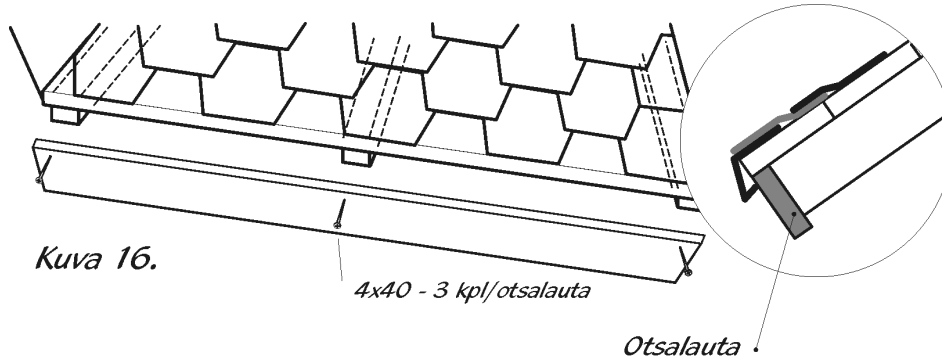


Once all the roof sections are in place, install the eaves edging as shown on the image, by turning the corner onto the following or the previous part. The edging is attached with felting nails, from top down, using three nails. Finally, mount the ridge felt. Cut 6/8 pcs roof valley length battens + 50 mm from the ridge felt roll, place the ridge felt in the middle of the roof valley and 50 mm over the edge of the roof slope, nail the felt's edges to the roof in increments of about 200 mm. Cut the superfluous part of the ridge felt off according to the roof slope.



In cold weather, the felt can be heated carefully by using an LPG boiler, for example, or a fan heater, so that the felt would stick on as well as possible. In the centre of the roof, cut a hole with a diameter of approximately $\varnothing 300$ mm, for the grill flue.

Once all the elements have been attached to each other, the roof can still be moved and adjusted towards the walls of the house. Attach the elements to the walls as shown on image 13.

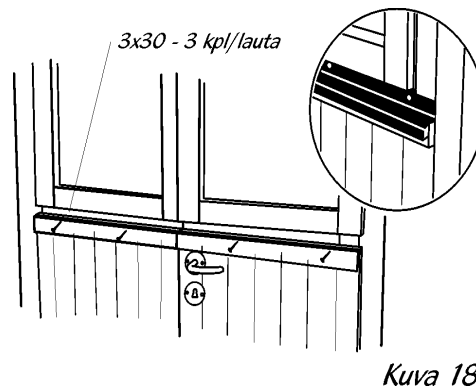
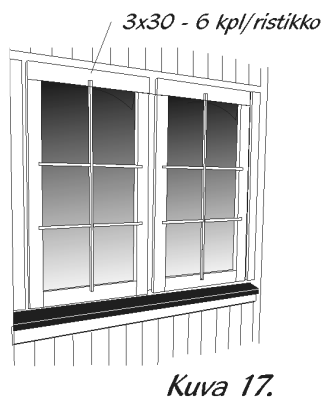


Otsalauta – fascia board

The roof's fascia boards are screwed on the ends of the roof elements as shown on image 16.

Fittings

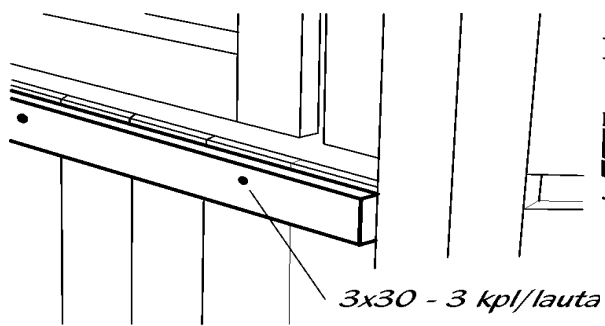
Equip the house's openable windows with opening and closing latches. Also attach the window lattices, 3x30 mm/6 pcs/lattice. Centre the lattice evenly on the window, and mark the position of the lattice. Screw the lattice carefully in its place so that the screw would not go through the frame into the glass and break it (image 17). Install the door handles, lock and mountings (Please note! In the door, the narrower end of the decorative frame will be in the middle and the longer end to the right) image 18, if necessary, adjust the doors and the openable windows. There will be a decorative frame under the windows (image 19.), which will have a protective edging, as shown on image 20. If the edging is too long, it can be shortened, using suitable scissors.



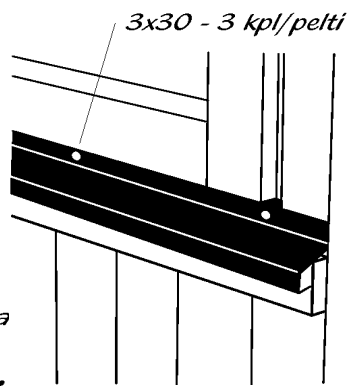
Ristikko – lattice

Lauta – board

15.11.13



Kuva 19.



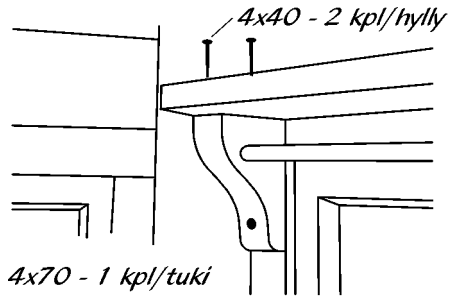
Kuva 20.

Pelti – tin edging

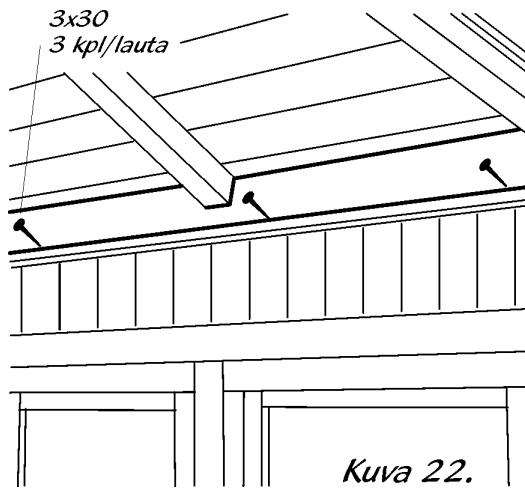
Shelves and boarding

Mount the shelves in the correct places on the inside of the structure (image 21). Also attach the boarding, which has been included in the delivery, between the roof and the wall element as shown on image 22. Also the laths by screwing them onto the external joints of the wall elements (image 23).

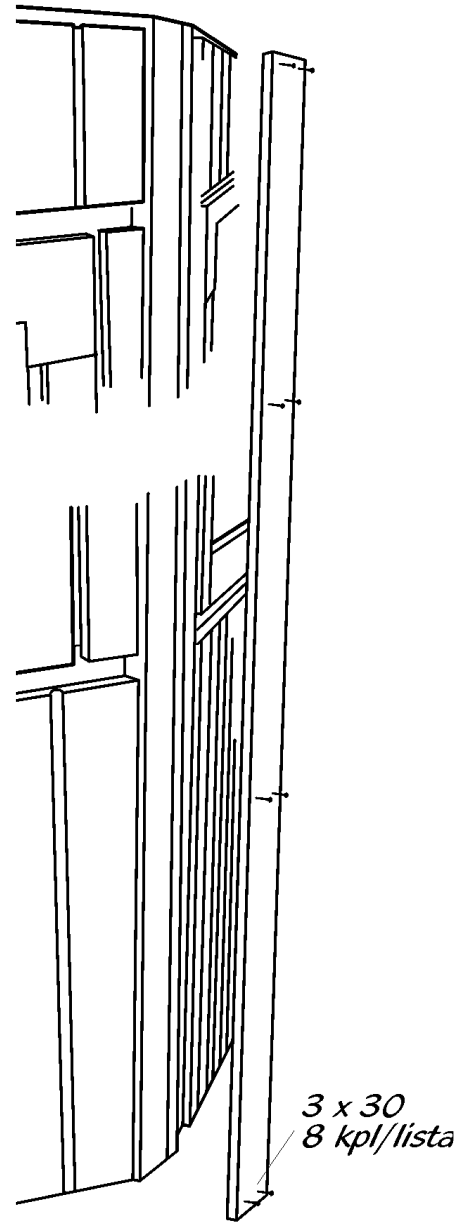
tuki – support
hylly – shelf



Kuva 21.



Kuva 22.



Kuva 23